

The all new Duralok Fence System. Privacy



The Duralok Fencing System is manufactured from a revolutionary PVC formula designed to withstand the harsh Australian climate. An innovative and dynamic product that offers a multitude of fencing options. With its clean and refreshingly stunning looks, it is no wonder Australians are now realising PVC fencing is a real alternative to their long term fencing needs.

THE BENEFITS OF THIS PRODUCT:

- Strong and durable
- Same appearance on both sides
- Colour is throughout the material eliminating unsightly scratches
- Durable and flexible to retain shape on impact
- Will not rust or corrode
- Heat resistant and fire retardant
- Termite and white ant resistant
- Quick and easy to install and looks great
- Easier to remove unsightly hard water staining or graffiti
- Require little or no maintenance
- Can be recycled making them environmentally efficient
- Standard white or biscuit colour
- Designed to withstand high wind conditions
- A sealed system eliminates risk of insect infestation
- A fencing system with acoustic qualities
- No need to paint
- Does not become brittle

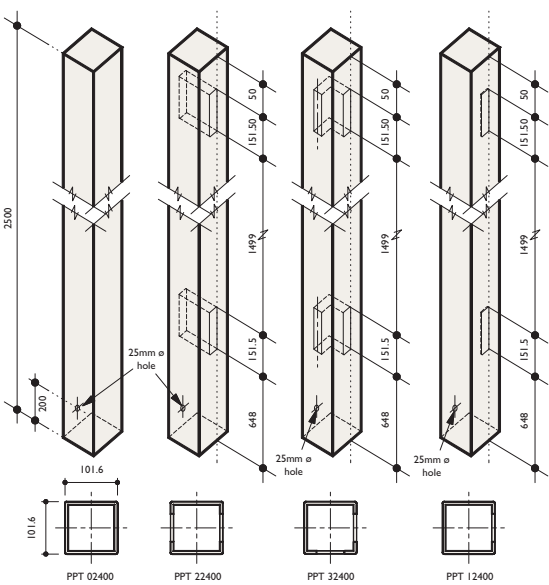
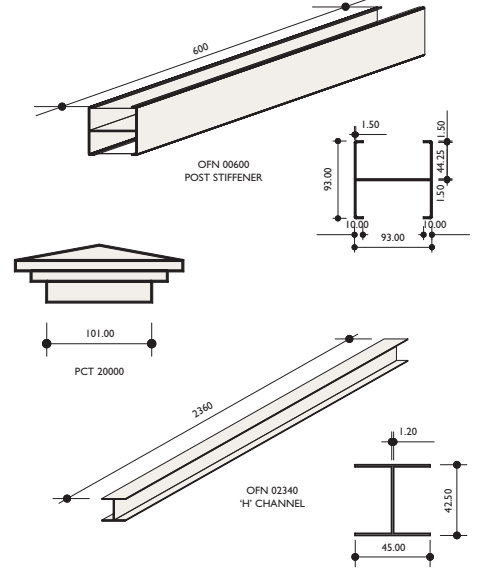
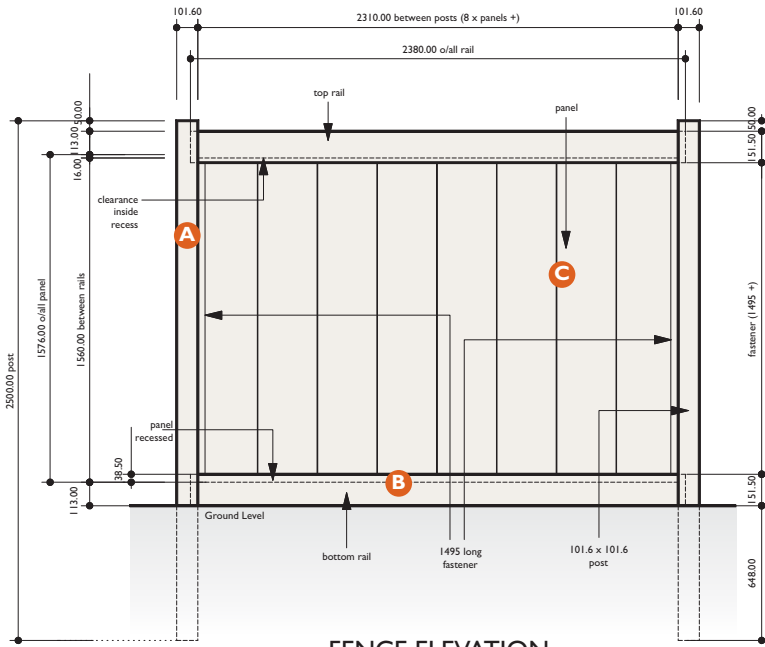


Duralok[®]
FENCE SYSTEM

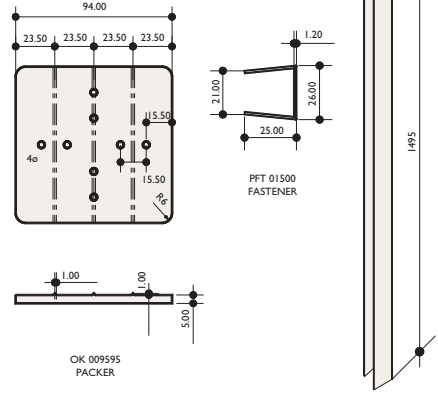
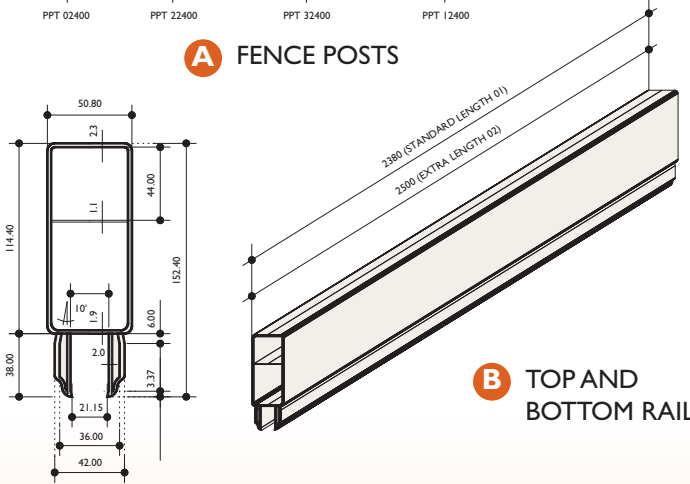
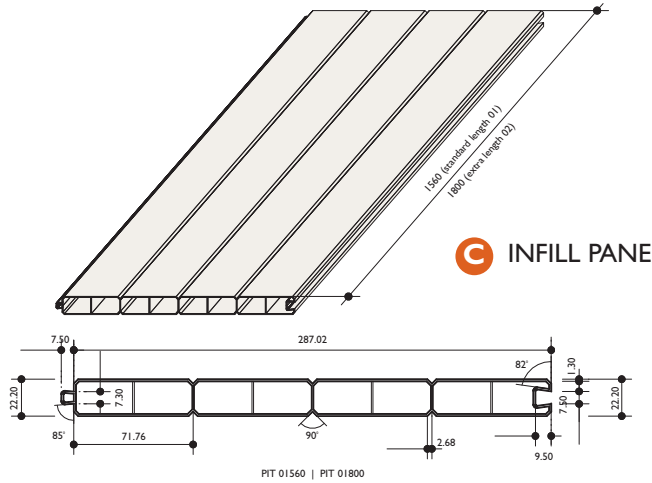
The innovation that's dividing the nation.™



Privacy Fencing Specifications



A FENCE POSTS



The innovation that's dividing the nation.™

Duralok Pty Ltd is an Australian owned and operated company with distribution facilities and on demand stock holdings nationwide. What does this mean? The end consumer has an immediate supply as needed and from someone in their own community. So regardless of location – Albany to Broome, Darwin to Adelaide, Port Lincoln to Ceduna, Horsham to Wodonga, Geelong to Warrnambool, Albury to Tweedheads, Canberra to Newcastle, Gold Coast to Cairns and beyond. Duralok is there.

Duralok
FENCE SYSTEM